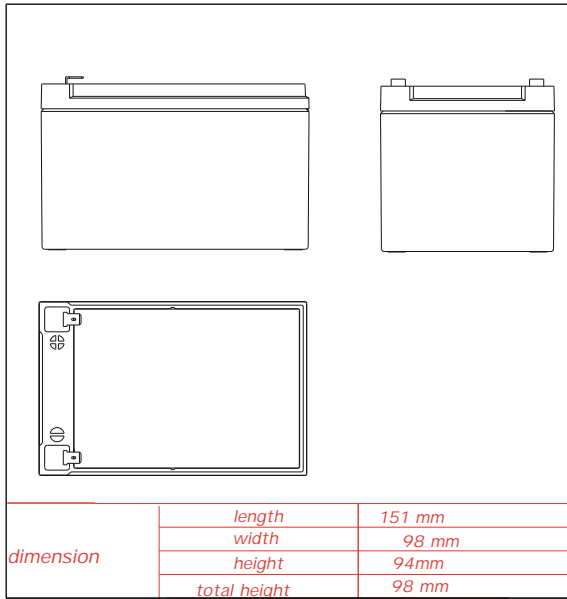
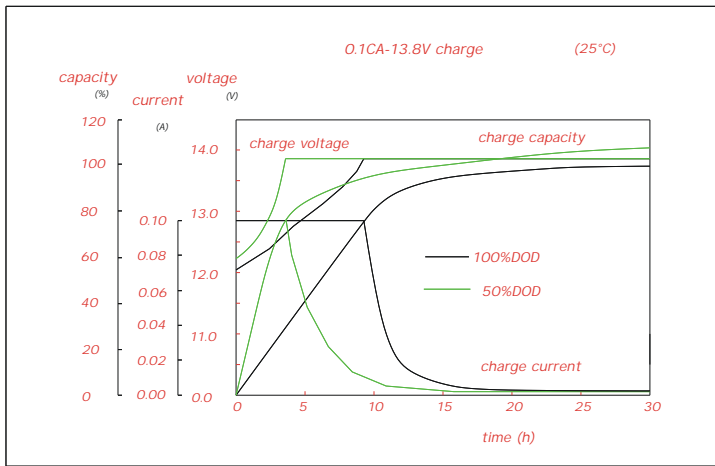
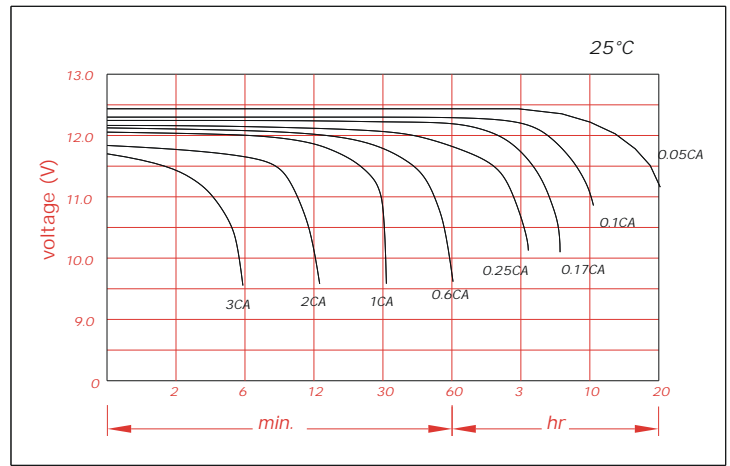
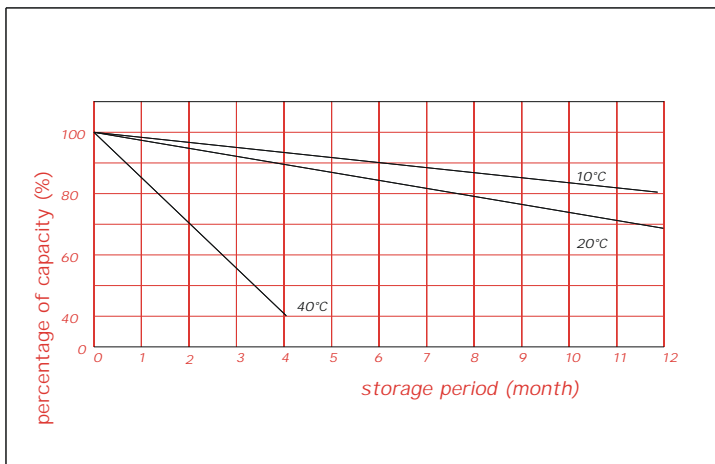


Specification


voltage	12 V	capacity	12 Ah
resistance	approx. 12 m Ω		
charge voltage	floating (25°C)	voltage	13.6-13.8 V
		current	≤ 3.6A
	cyclic (25°C)	voltage	14.7-15.0 V
		current	≤ 3.6A
design life	floating	25°C	6-8 years
		35°C	3-5 years
	cyclic (25°C)	100%DOD	200 cycles
		50%DOD	600 cycles
		30%DOD	1500 cycles
self discharge(25°C)	one month	4%	
	two months	7%	
	three months	10%	
weight	approx. 4450 g		

Charge characteristic

Discharge characteristic

Self-disc. characteristic

Temperature characteristic
